

## 40G QSFP-4SFP+ Active Optical Cable

SLQS-4S-40AOC-XX



### Overview

Sourcelight QSFP to 4x SFP+ breakout Active Optical Cable offers IT professionals a cost-effective interconnect solution for merging 40G QSFP and 10G SFP+ enabled host adapters, switches and servers.

For typical applications, users can install this splitter Active Optical cable between an available QSFP port on their 40Gbps rated switch and feed up to four upstream 10GbE-SFP+ enabled switches. Each QSFP-SFP+ splitter Active Optical cable features a single QSFP connector (SFF-8436) rated for 40Gbps on one end and (4) SFP+ connectors (SFF-8431), each rated for 10-Gb/s, on the other.

### Features

- ◆ Electrical interface compliant to QSFP+ (SFF-8436)
- ◆ SFP+ connectors (SFF-8431)
- ◆ Hot Pluggable
- ◆ 850nm VCSEL transmitter PIN photo detector receiver
- ◆ Up to 100m on OM3 MMF
- ◆ Operating case temperature: 0 to 70°C
- ◆ All-metal housing for superior EMI performance
- ◆ RoHS compliant

### Applications

- ◆ 40 Gigabit Ethernet
- ◆ Fibre Channel Applications
- ◆ InfiniBand QDR, SDR, DDR
- ◆ High-performance computing clusters
- ◆ Servers, switches, storage and host card adapters

### Ordering Information

Part Number	Product Description
SLQS-4S-40AOC-XX	40G QSFP to 4x 10G SFP+ Active Optical Cable, 300m on OM3 MMF, 0°C ~ +70°C
XX : 01~300,	1~300 Length in meters. (OM3 fiber is available)

**Datasheet**
**QSFP interface Specifications**

Parameter	Description
Module Form Factor	QSFP+ (Supports SFF8436/SFF8472)
Channel Data Rate	Rate 40Gbps
BER	$<10^{-12}$
Operating Case Temperature	0 to + 70°C
Storage Temperature	-20 to + 85°C
Supply Voltage	3.3V
Supply current	180mA per end typical
Management Interface Serial	I <sup>2</sup> C (Supports SFF8472)

**Optical Characteristics**

The following optical characteristics are defined over the Recommended Operating Environment.

Parameter	Symbol	Min	Typical	Max	Unit	Notes
<b>Transmitter</b>						
Centre Wavelength	$\lambda_c$	840	850	860	nm	-
RMS spectral width	$\Delta\lambda$	-	-	0.65	nm	-
Average launch power, each lane	P <sub>out</sub>	-7.5	-	2.5	dBm	-
Difference in launch power between any two lanes (OMA)				4	dB	-
Extinction Ratio	ER	3	-	-	dB	-
Peak power, each lane				4	dBm	-
Transmitter and dispersion penalty (TDP), each lane	TDP			3.5	dB	-
Average launch power of OFF transmitter, each lane				-30	dB	-
<b>Receiver</b>						
Centre Wavelength	$\lambda_c$	840	850	860	nm	-
Stressed receiver sensitivity in OMA, each lane				-5.4	dBm	1
Maximum Average power at receiver input, each lane				2.4	dBm	-
Receiver Reflectance				-12	dB	-
Peak power, each lane				4	dBm	-
LOS Assert		-30			dBm	-
LOS De-Assert – OMA				-7.5	dBm	-
LOS Hysteresis		0.5			dB	-

**Note:**

1. Measured with conformance test signal at TP3 for BER = 10e-12

### SFP+ interface Specifications

Parameter	Description
Module Form Factor	SFP+ (Supports SFF8431/SFF8432/SFF8472)
Channel Data Rate	Rate 1 to 10.3125Gbps
BER	$<10^{-12}$
Operating Case Temperature	0 to + 70°C
Storage Temperature	-20 to + 85°C
Supply Voltage	3.3V
Supply current	455mA maximum
Management Interface Serial	I <sup>2</sup> C (Supports SFF8472)

**Note:**

1. Trade-offs are available between spectral width, center wavelength and minimum OMA, as shown in table 6.
2. The optical power is launched into MMF
3. Measured with a PRBS 2<sup>31</sup>-1 test pattern @10.3125Gbps
4. Measured with a PRBS 2<sup>31</sup>-1 test pattern @10.3125Gbps, BER≤10<sup>-12</sup>.

### Mechanical Specifications

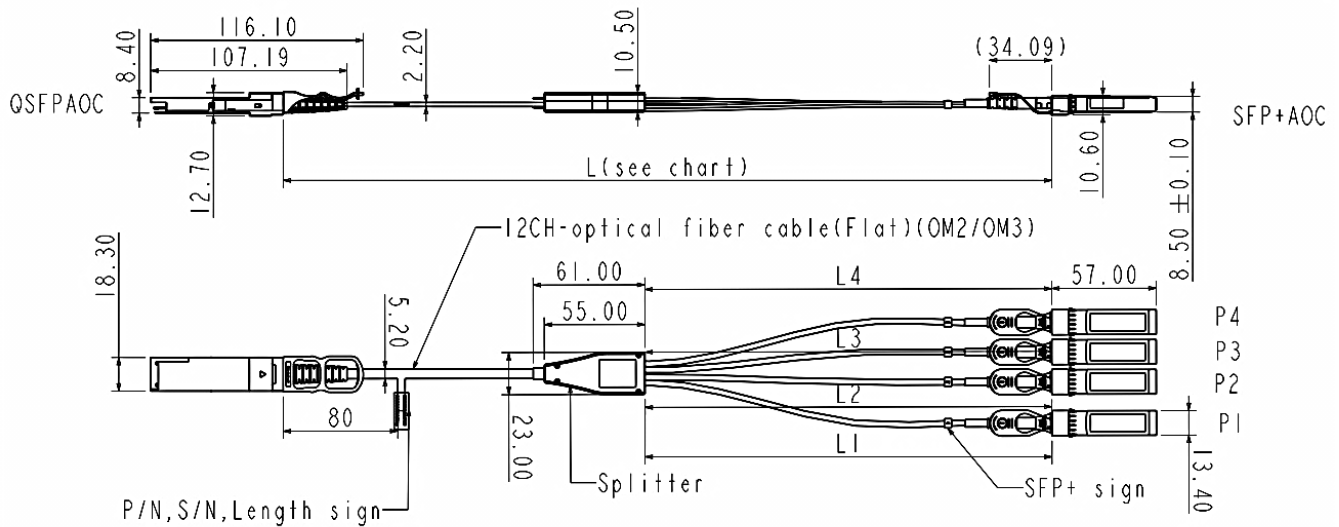


Figure1. Mechanical Specifications

### References

1. Electrical interface compliant to QSFP+ (SFF-8436)
2. SFP+ connectors (SFF-8431)
3. All-metal housing for superior EMI performance

**Shenzhen SourceLight Technology Co., Ltd**

SourceLight Technology reserves the right to make changes to or discontinue any optical link product or service identified in this document without notice in order to improve design and/or performance. If you have any question regarding this specification sheet, please contact our sales representative or send email to [sales@sourcelight.com.cn](mailto:sales@sourcelight.com.cn)